

POWERWAY CABLE LADDER



Proudly Bidvest

- Standard finish galvanised (HDG)
- Welded construction
- 150mm depth also available
- Special materials & coatings on request

PW75 CABLE LADDER (Prices Exclude Splice Sets)

Width (mm)	PW75 Ladder 2,0mm ①	PW75 Ladder 3,0mm ①	Horizontal Bend 90° ①	Riser/Dropper ①	Tee ②	4 Way Crossover ③
150	958.00	1363.00	489.00	656.00	981.00	1401.00
200	1005.00	1463.00	511.00	666.00	1012.00	1445.00
300	1082.00	1564.00	596.00	692.00	1131.00	1591.00
400	1163.00	1662.00	673.00	717.00	1205.00	1684.00
500	1258.00	1775.00	736.00	749.00	1295.00	1784.00
600	1351.00	1892.00	862.00	779.00	1382.00	1884.00
800	1528.00	2104.00	1025.00	836.00	1609.00	2161.00
1000	1704.00	2321.00	1169.00	893.00	1778.00	2363.00

Splice Sets 2,0mm
66.40Ea.



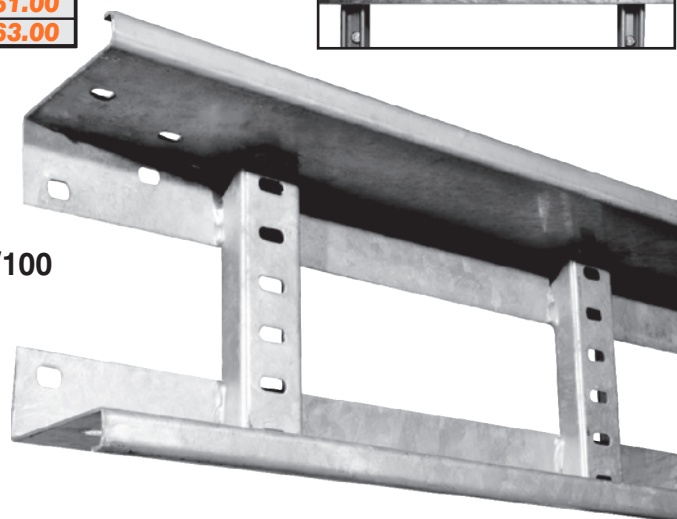
Standard Length: 3000mm, Rung Spacing: 300mm, Side Rail Height: 75mm, Material Thickness: 2,0 - 3,0mm, Cross Rung Thickness: 2,0mm

① Indicates Splice Sets Required



16 x M8 x 16 cup square bolts, nuts & fender washers @ **1.65 = 26.40** and 2 off splices (PW75, 2mm) @ **20.00 = 40.00** (PW100, 2mm) @ **27.50 = 55.00**

PW75/100



PW100 CABLE LADDER (Prices Exclude Splice Sets)

Width (mm)	PW100 Ladder 2,0mm ①	PW100 Ladder 3,0mm ①	Horizontal Bend 90° ①	Riser/Dropper ①	Tee ②	4 Way Crossover ③
150	1093.00	1616.00	635.00	868.00	1244.00	1759.00
200	1140.00	1670.00	686.00	879.00	1288.00	1822.00
300	1217.00	1775.00	767.00	913.00	1427.00	1985.00
400	1299.00	1880.00	862.00	943.00	1514.00	2086.00
500	1388.00	1993.00	936.00	974.00	1615.00	2200.00
600	1482.00	2110.00	1075.00	1005.00	1715.00	2324.00
800	1662.00	2333.00	1288.00	1075.00	1979.00	2626.00
*1000	1833.00	2556.00	1465.00	1138.00	2173.00	2854.00

Splice Sets 2,0mm
81.40 Ea.

PRICES FOR PW150 ON REQUEST

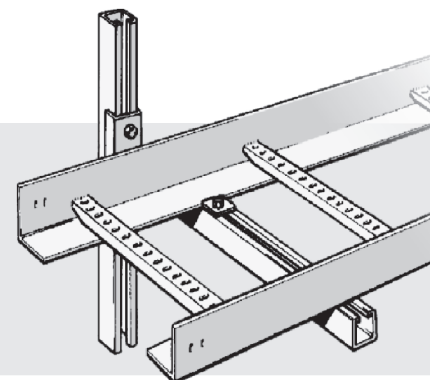
Standard Length: 3000mm, Rung Spacing: 300mm, Side Rail Height: 75mm, Material Thickness: 2,0 - 3,0mm, Cross Rung Thickness: 2,0mm

ANGLEWAY (Light, Medium & Heavy Duty)

- Standard finish galvanised (HDG)
- Welded construction

POA

Standard Length: 3000mm
Side Rail Profile:
Light Duty: 25 x 25 x 2,5mm
Medium Duty: 40 x 40 x 3,0mm
Heavy Duty: 50 x 50 x 4,0mm
Rung profile & spacing to order



Standard Accessories
All accessories 2,0mm only
(suitable for all ladders)
Accessory Radius: 450mm
Other radii to order

